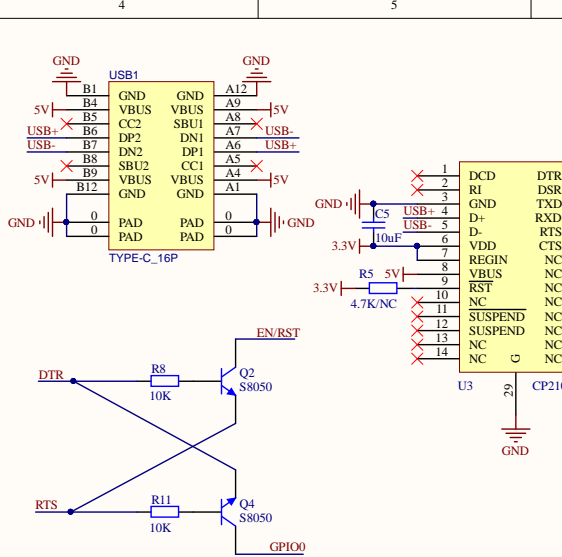


电源和充电 (Power & Charge)



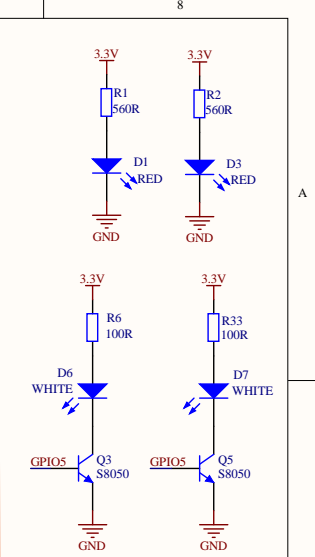
USB转串口TTL (USB to UART)

Auto Download:

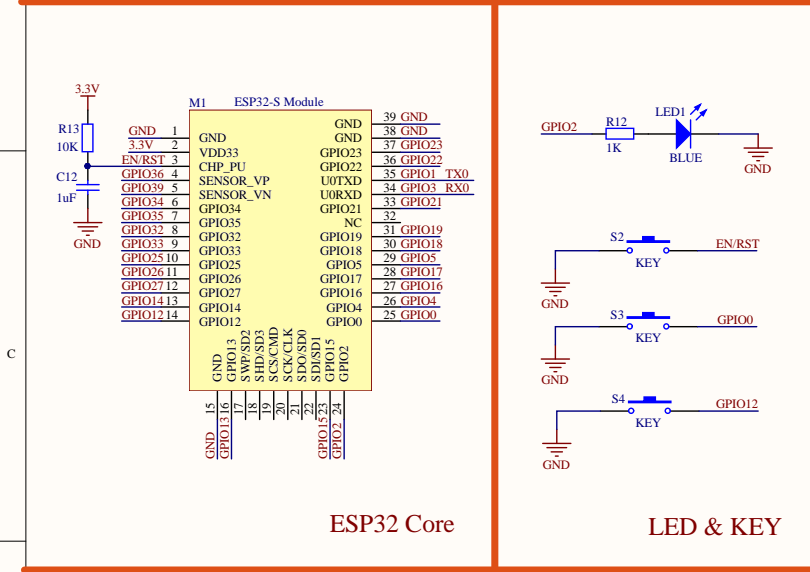
DTR	---	RTS	---	RST	---	GPIO0
1	1	1	1	1	1	1
0	0	0	1	1	1	1
1	0	0	0	1	1	0

Boot:

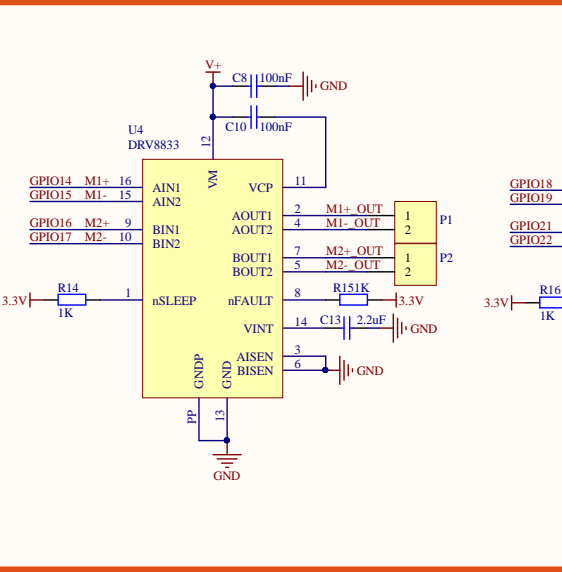
GPIO0	---	GPIO2	-----	Mode
0	0	0	Download	
1	X	1	Flash Boot	



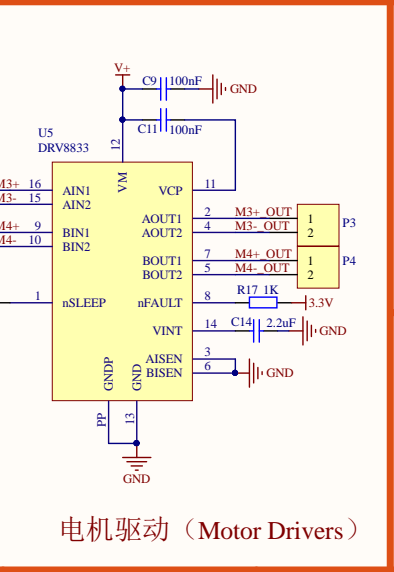
车头车尾灯 (Lights)



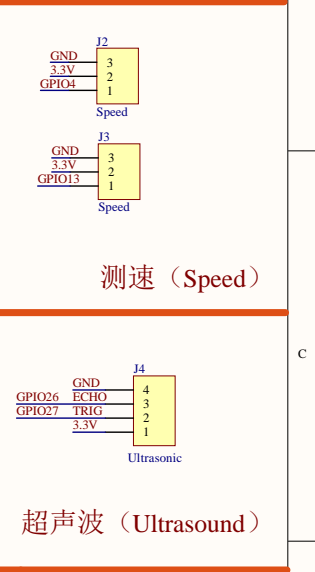
ESP32 Core



LED & KEY

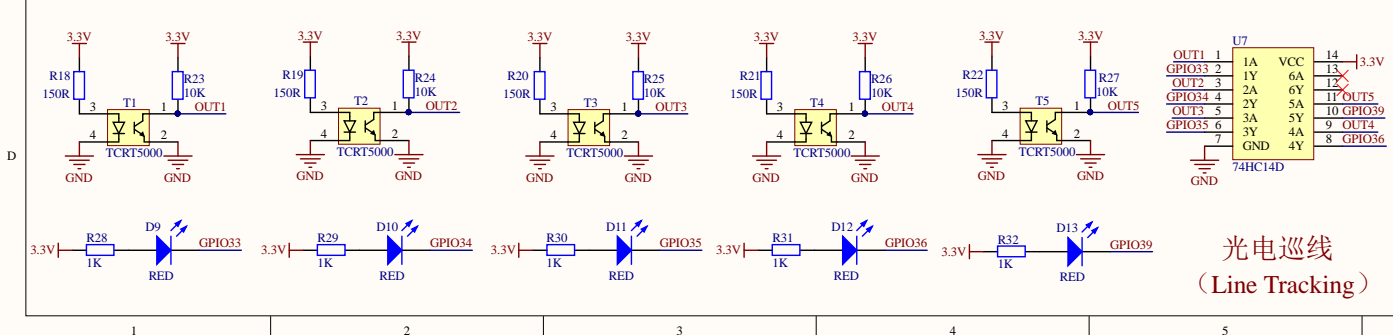


电机驱动 (Motor Drivers)

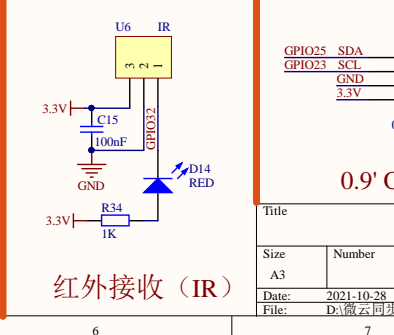


测速 (Speed)

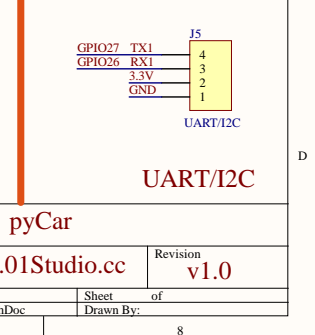
超声波 (Ultrasound)



光电巡线 (Line Tracking)



红外接收 (IR)



0.9' OLED

UART/I2C

255.00 (mm)

150.00 (mm)

01Studio

pyCar

18650 Battery

Motor 4

Motor 1

Motor 3

Motor 2

OLED

UART/2C

Ultrasonic

T1

T2

T3

T4

T5

